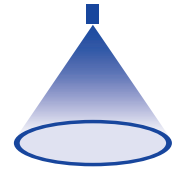


# ➤ Tangential-flow hollow cone nozzles Series 308

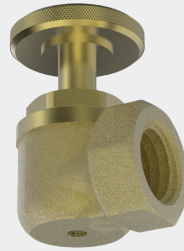


### Features:

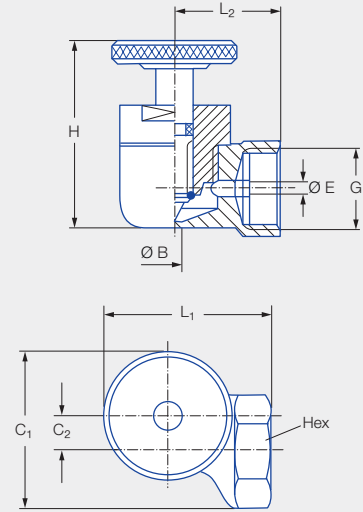
- Uniform atomization
- Non-clogging nozzle without swirl insert
- Adjustable flow rate

### Applications:

- Humidification of air in air washers
- Dust control
- Spraying onto filters
- Foam control
- Cooling



Series 308



G	Dimensions [mm]						Weight [g]
	C <sub>1</sub>	C <sub>2</sub>	H	L <sub>1</sub>	L <sub>2</sub>	Hex	
3/8 BSPP	34.0	8.0	40.0	36.0	23.0	22	150.0

Spray angle	Ordering no.		Bore diameter B [mm]	Narrowest free cross section Ø [mm]	V <sub>max</sub> water [l/min]						Spray diameter D [mm] (at p = 2 bar)	
	Type	Mat. no.			p [bar]						 H = 250 [mm]    H = 500 [mm]	
		30			0.3	0.5	1.0	2.0	5.0	10.0		
90°	308.466	●	2.00	2.00	0.54	0.70	1.00	1.40	2.21	3.13	440	830
	308.606	●	4.00	4.00	1.22	1.58	2.23	3.15	4.98	7.04	460	850

Conversion formula for this series:  $\dot{V}_2 = \dot{V}_1 \cdot \sqrt{\frac{p_2}{p_1}}$

Ordering Type + Material no. = Ordering no.  
example: 308.466 + 30 = 308.466.30

Assembly accessories can be found in Chapter 9 "Accessories".