

# KEY FACTS AXIAL-FLOW FULL CONE NOZZLES

Series 4H7

## GENERAL INDUSTRY

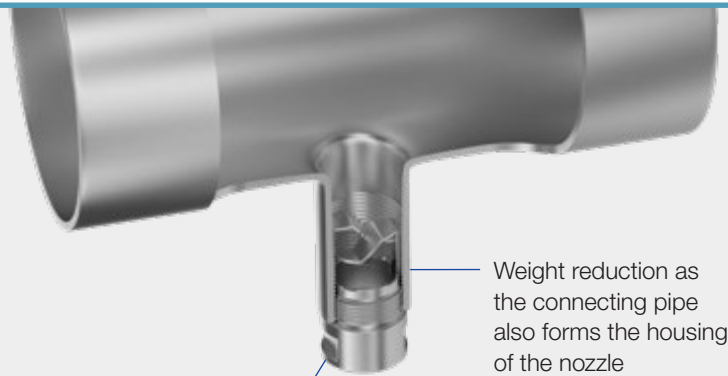
### Features

- Low weight
- Compact, housingless design for screw-in
- Corrosion-resistant
- Max. operating temperature 250 °C (higher temperatures are possible, depending on the material)
- High resistance to clogging due to large free cross-sections

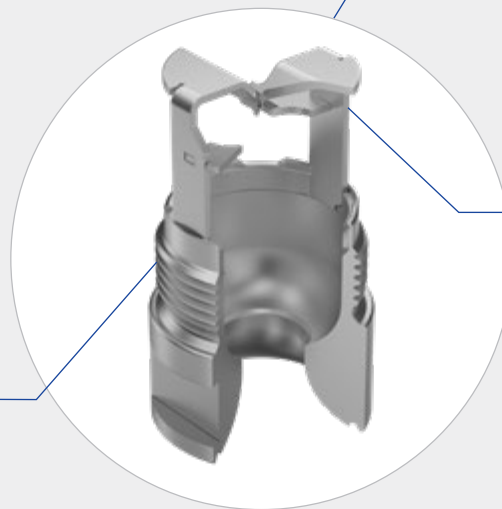
### Applications

- Wet DeSOx in scrubbers
- Gas cooling/quenching
- Absorber technique

Maintenance-friendly nozzle concept:  
After disassembly, the swirl insert is exposed and can be optimally cleaned of possible deposits and contaminations



Weight reduction as the connecting pipe also forms the housing of the nozzle



Swirl insert consisting of a sheet metal construction for a more even liquid distribution compared to helix nozzles

**Compact. Lightweight. Durable.**  
Ready for the most diverse environments.